



10-year Optical Smoke Alarm User Guide

Sealed-in Battery lasts the life of the alarm



0843

16

0843-CPR-0265

0843-CPR-0266

0843-CPR-0267

EN14604:2005

MODELS

WFP

WFPV

WFPL



WFPL

Hallways Unit with Escape Light



WFPV

WFP

Voice Unit / Living Area Unit

Contents

1. Smoke Alarm Best Practise
2. Important Smoke Alarm Information
3. Where to install a Smoke Alarm
4. Where not to install a smoke alarm
5. Installation of your alarm
6. Activating your alarm
7. Operating and Testing your Smoke Alarm
8. Maintenance
9. Permanently Disable Alarm / Discharge Battery
10. Deactivation of your alarm
11. Service and Warranty
12. Environmental Protection

1. SMOKE ALARM BEST PRACTISE

At all times and before installing your smoke alarm you must;

- Have an escape plan with alternate exits
- Train your family in this escape plan and practise it regularly
- Ensure your family know what the alarm sounds like

If the alarm sounds check for fires first of all, and if one is discovered then;

- DO Alert small children
- DO Exit the home according to your escape plan
- DO Crawl if the smoke is dense, using a damp cloth to breathe through
- DO Call the fire brigade from a neighbour's home
- DO Ensure that everyone is awake, and assistance is given to those who require it
- DON'T stop to dress or retrieve valuables
- DON'T open doors that are warm, or through which smoke is seeping

NOTE – Situations where a smoke alarm might not be effective;

- Smoking in bed
- Leaving children unattended
- Cleaning with flammable liquids resulting in explosive vapour

2. IMPORTANT SMOKE ALARM INFORMATION

- Before temporarily silencing the alarm with the Hush button, identify the source of the smoke.
- Smoke alarms need to be tested regularly
- Smoke alarms cannot provide an alarm if smoke cannot reach them
- Fires in chimneys, walls, roofs, different levels or behind closed doors might not be detected
- For the physically or mentally impaired, or very young, escape may be difficult and so alternative escape strategies should be adopted
- The smoke alarm may not wake heavy sleepers or those impaired by the use of drugs or alcohol. In this case an alarm should be fitted in each sleeping area
- Smoke alarms can save lives, but they are not an alternative for an adequate insurance policy to protect lives and property
- **IMPORTANT:** Additional markings on back of unit.

Leading authorities recommend that both ionisation and photoelectric smoke alarms be installed to help insure maximum detection of the various types of fires that can occur within the home. Ionisation sensing alarms may detect invisible fire particles (associated with fast flaming fires) sooner than photoelectric alarms. Photoelectric sensing alarms may detect visible fire particles (associated with slow smoldering fires) sooner than ionisation alarms.

3. WHERE TO INSTALL A SMOKE ALARM

Locate one alarm on every floor level

Locate to monitor stairways – Escape Light alarm recommended (Model WFPL)

Locate in each sleeping location / bedroom – Voice alarm recommended (Model WFPV)

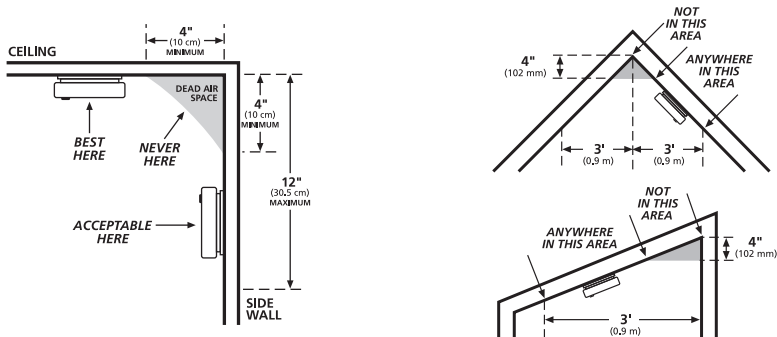
Locate in every room with electrical appliances

Hallways longer than 9m require a smoke alarm at each end – Escape Light alarm recommended

Rooms greater than 47m² require additional alarms

NOTE – If your room is not well insulated, smoke may not reach the ceiling and wall-mounting should be adopted.

This apparatus is to be installed by a competent person.

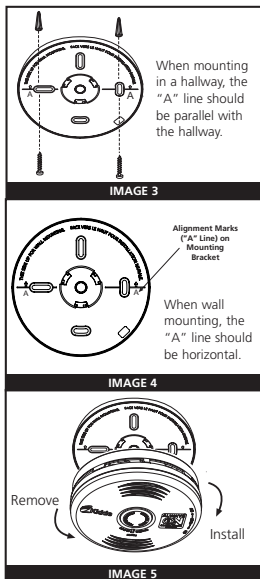


4. WHERE NOT TO INSTALL A SMOKE ALARM

- Garages
- Areas of extreme temperature (below 0 °C and above 40 °C)
- Dusty or insect infested areas
- Do not install where the ventilation openings in the unit could be impeded by items such as newspapers, table-cloths, curtains, etc.
- Humid areas (greater than 93% RH)
- In front of fans, ducts or other high flow areas
- Within 1 metre of a fluorescent light
- Kitchens (or within 1 metre of the kitchen)
- Bathrooms (or within 1 metre of the bathroom)
- This alarm is intended for domestic use only – it is not tested for leisure boats , camper vans or caravans. It is not suitable for large passenger boats.

5. INSTALLATION OF YOUR ALARM

Attaching And Activating The Alarm



To obtain aesthetic alignment of the alarm with the hallway or wall, the "A" line on the mounting bracket should be parallel with the hallway when ceiling mounting or horizontal when wall mounting.

After selecting the proper smoke alarm location as described in Section 3, attach the mounting bracket to the ceiling as shown in Image 3 For wall mounting see Image 4. Place the mounting plate on the wall; be sure the "A" line is horizontal (parallel to the floor). Use the screws and anchors provided to secure the mounting bracket bracket. Use a 5mm drill bit for anchors if mounting in plasterboard or similar surface. Anchors are not required for mounting on hard surfaces such as wood.

6. ACTIVATING THE ALARM

This alarm is automatically activated when it is attached to the mounting plate for the first time. Once activated, the battery will power the alarm for its 10-year life under normal conditions.

Align the alarm with the mounting bracket and rotate clockwise approximately 45 degrees until the unit stops rotating and clicks into place. If the unit needs to be re-aligned rotate the alarm anti-clockwise, remove and rotate to the desired alignment. NOTE: This alarm will mount to the plate in 3 positions (every 120 degrees).

The alarm briefly chirps to indicate that power has been received. The unit will remain on until it is disabled by the user or at the end of the alarm's life. The alarm is now activated! Now test the alarm as described in this user guide.

Model WFPV will issue a voice prompt at activation asking the user to press the test button. Proceed to 'Operation and Testing' section.

7. OPERATING AND TESTING YOUR SMOKE ALARM

	Sound Emitted	Voice Prompt (Model WFPV)	LED (all) & Escape Light (Model WFPL)	Note
Normal Operation	None	None	Flashes once every 10 minutes	LED will flash every 60seconds for 10 minutes after power-up, then flashes every 10 minutes
Test	3 long beeps repeated twice	"FIRE, FIRE!"	Flashes with alarm pattern (Model WFPL briefly illuminates amber safety light)	None
Alarm	3 long beeps, repeating	"FIRE, FIRE!"	3 x flashes, synchronised with audible alarm (and illumination of amber safety light for model WFPL)	Identify source of smoke and evacuate if necessary
Low Battery	Single chirp every 60 seconds	"Low Battery"	Flashes once every 30 seconds	Remove, discharge unit, dispose, replace with new alarm within 7 days.
Hush See NOTE 1		"Hush Mode Activated"	Flashes every 10 seconds for up to 10 minutes	
Hush Cancellation		"Hush Mode Cancelled"		Cancelled by pressing test button
Fault Mode	Single chirp every 30 seconds		Fault Code (2-12 flashes every 30 seconds)	
End of Life See NOTE 2	2 chirps every 30 seconds		Flashes twice every 30 seconds	Remove, discharge unit, dispose, replace with new alarm. Use End of Life hush feature temporarily.

Note 1 – Pressing the Test/Hush button will desensitize the alarm for up to 10 minutes to a known alarm condition such as burnt toast. During this period the LED flashes every 10 seconds.

Note 2 – Pushing the Test/Hush button at end of life silences End of Life chirps for 3 days. Can be used 10 times within 30 days. Allows the homeowner to purchase a replacement alarm.

8. MAINTENANCE

At least once a year remove the alarm and use a vacuum cleaner to suck out any dust. Wipe the outside of the alarm with a damp cloth. When you replace the alarm remember to test it.

- Never use detergent or other solvents to clean the alarm.
- Avoid spraying air freshener, hair spray, or other aerosols near the smoke alarm
- Do not paint the unit. Paint will seal the vents and interfere with the sensor's ability to detect smoke.
- **NOTE:** do not use naked flame sources, such as lighted candles, to test your apparatus.
- Storage and Transport Conditions: -20° C to +60° C, 5-95%RH (non-condensing).

9. PRODUCT SPECIFICATION

Power	Sealed lithium battery
Sensors	Smoke - Optical
Operating Temperature Range	0 °C to 40 °C
Humidity Operating Range	Up to 93%RH (non-condensing)
Storage and Transport Conditions	-20°C to +65°C, 5-95%RH (non-condensing)
Alarm Sound	85dB @ 3m after 1 min. , 82dB after 4 min.
Dimensions	Diameter 5.25"(133.3mm) , Height 1.6"(40.3mm)
Weight	Weight: 0.173 kg

NOTE: Constant exposures to extreme temperatures and humidities may affect battery life.

10. PERMANENTLY DISABLE ALARM / DISCHARGE BATTERY

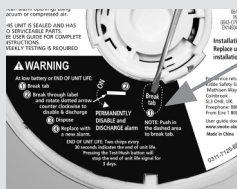
⚠ WARNING!

- Discharging the battery is permanent. Once the alarm has been deactivated, it cannot be reactivated!
- Once discharged, the alarm will **NO LONGER DETECT SMOKE**.
- Once the alarm is discharged the battery will be depleted and the alarm will no longer function.
- Once the alarm has been discharged, it cannot be mounted onto the mounting plate or reactivated.

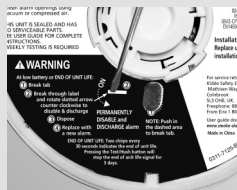
⚠ WARNING!

Failure to discharge alarm as instructed prior to disposal may create potential for lithium battery related fire or hazard.

To Permanently Disable Alarm / Discharge Battery:



- Push in the dashed area with a screwdriver to completely break tab.



- After the tab is broken, use the screwdriver to break through the label and turn the slotted arrow counter clockwise to the "PERMANENTLY DISABLE and DISCHARGE alarm" location. This will disable the alarm, stop the low battery or end of unit life "chirps" and render the alarm safe for disposal by draining the battery.

11. SERVICE AND WARRANTY

If after reviewing this user guide you feel that your smoke alarm is defective in any way, do not tamper with it.

Return for servicing to: Kidde Safety Europe Ltd, Ash House, Littleton Road, Ashford, TW15 1TZ, UK 0800-917-0722 / (Ireland) 1 800 818 601

(See below for in-warranty returns)

LIMITED WARRANTY

Kidde Safety warrants to the original purchaser that the enclosed smoke alarm will be free from defects in material and workmanship or design under normal use and service for a period of 10 (ten) years from the date of purchase. The obligation of Kidde Safety Europe Limited under this warranty is limited to repairing or replacing the smoke alarm or any part which we find to be defective in material, workmanship or design, free of charge to the customer, upon sending the smoke alarm with proof of date of purchase, postage and return postage prepaid, to Warranty Service Department, Kidde Safety Europe Ltd, Ash House, Littleton Road, Ashford, TW15 1TZ, UK

This warranty shall not apply to the smoke alarm if it has been damaged, modified, abused or altered after the date of purchase or if it fails to operate due to improper maintenance.

THE LIABILITY OF KSE LTD OR ANY OF ITS PARENT OR SUBSIDIARY CORPORATIONS ARISING FROM THE SALE OF THIS SMOKE ALARM OR UNDER THE TERMS OF THIS LIMITED WARRANTY SHALL NOT IN ANY CASE EXCEED THE COST OF REPLACEMENT OF SMOKE ALARM AND, IN NO CASE, SHALL KSE LTD OR ANY OF ITS PARENT OR SUBSIDIARY CORPORATIONS BE LIABLE FOR CONSEQUENTIAL LOSS OR DAMAGES RESULTING FROM THE FAILURE OF THE SMOKE ALARM OR FOR BREACH OF THIS OR ANY OTHER WARRANTY, EXPRESS OR IMPLIED, EVEN IF THE LOSS OR DAMAGE IS CAUSED BY THE COMPANY'S NEGLIGENCE OR FAULT.

This warranty does not affect your statutory rights.

Construction Product: Smoke alarms. Intended use: Fire safety

Essential characteristics	EN14604:2005 Clause	Performance
Nominal activation conditions/Sensitivity, Response delay (response time) and Performance under fire condition	4.12, 5.2, 5.3, 5.4, 5.5, 5.15, 5.17, 5.18, 5.20	PASS
Operational reliability	4.1, 4.2, 4.5, 4.6, 4.7, 4.8, 4.9, 4.10, 4.15, 4.16, 4.17, 4.19, 5.11, 5.16, 5.22, 5.23, 5.24	PASS
Tolerance to supply voltage	5.21	PASS
Durability of operational reliability and response delay, temperature resistance	5.6, 5.7, 5.8	PASS
Durability of operational reliability, vibration resistance	5.12, 5.13	PASS
Durability of operational reliability, humidity resistance	5.9	PASS
Durability of operational reliability, corrosion resistance	5.10	PASS
Durability of operational reliability, electrical stability	5.14	PASS
Accommodation Vehicles (LAVs)	Annex L	NPD

12. ENVIRONMENTAL PROTECTION

Waste electrical products should not be disposed of with household waste. Please recycle where facilities exist. Check with Local Authority or retailer for recycling advice.



QUESTIONS OR FOR MORE INFORMATION

Call our Consumer Hotline at (UK) 0800 917 0722 / (Ireland) 1 800 818 601
or contact us at our website at
www.kiddesafetysafetyeurope.co.uk



Kidde Safety Europe Ltd
Ash House, Littleton Road,
Ashford, TW15 1TZ, UK

Made in China

P/N: 0311-7216-01